



**Highbay B-Bolt  
200W NW IP65**

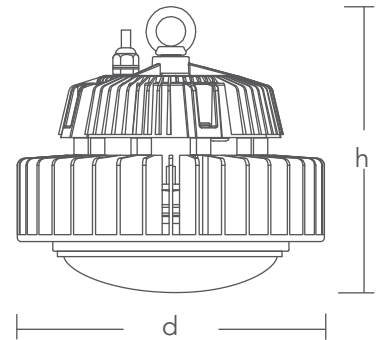


## PRODUCT HIGHLIGHTS

- Efficient substitution of high bay luminaires with an esthetic design
- High system efficiency reaching 135 lm/W
- Reflectors in aluminium (60° and 90°) and in PC available upon request
- High flux Nichia™ LED included
- Fixed output/ 1-10V dimmable LED control gear included
- Pure aluminium cold forged heatsink housing with robust powder coated finish
- Excellent thermal management
- Robust against shock. Shatter proof resistant
- Standard CCT: 4'000 K. Available upon request: 3'000 K, 5'700 K and 6'500 K
- Long service lifetime of 40'000 hours

## GENERAL CHARACTERISTICS

Product Reference	HBTH200270840D
Dimmable	Yes
Energy Efficiency Label	A++
Materials	Housing: Pure aluminium cold forged Lens: PC
LED Type	NICHIA™ SMD 3030 (757G)
LED Quantity	Module of 350 LEDs
Service Lifetime	40'000 hours @ 50°C ambient
Start Time from 0% to 100%	0 sec
Mercury Content	0.0 mg
Operating Temp. Range	-40°C...+50°C
Ingress Protection	IP65
Dimensions (d x h)	Ø 235 x 260 mm
Weight	5'700 g



## ELECTRICAL CHARACTERISTICS

Rated Power	200 W
Operating Frequency	50-60 Hz
Input Voltage	90-305V AC
Power Factor	> 0.95



## LIGHT CHARACTERISTICS

Luminous Flux	27'000 lm
Luminous Efficiency	135 lm/W
Luminous Intensity	8'775 cd
Beam Angle	120°
Colour Name	Neutral White
Colour Temperature (CCT)	4'000 K
CRI	> 80

DISTANCE (m)	CONE DIAMETER (m)	ILLUMINANCE (lx)
1.0	2.76	8'775
2.0	5.53	2'194
3.0	8.29	975
4.0	11.06	548
8.0	22.12	137

### Reports:

UL / DLC / TUV / SAA / PSE / LM-80 / LM-79