



Square Surface Mounted Slim Downlight IP20

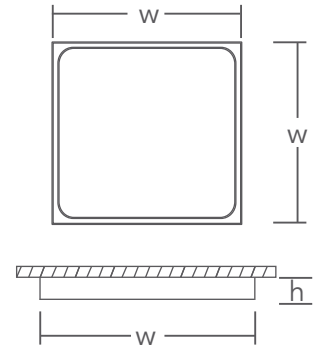


PRODUCT HIGHLIGHTS

- Extremely flat surface mounted LED downlight with a narrow trim
- DALI dimmable LED driver independent remote mounting (optional)
- High colour consistency and excellent CRI (CRI > 80)
- Built-in fixed output LED driver
- Symmetric light distribution with optimum photometric properties
- Long service lifetime of 30'000 hours for luminous flux at 90% of initial value (L90)

GENERAL CHARACTERISTICS

Product Name	LED Square Surface Mounted Slim Downlight
Energy Efficiency Label	A+
Materials	Trim Die-cast aluminium
	Housing Die-cast aluminium
	Cover Opal PC
Service Lifetime	30'000 hours
Power Factor	0.6
Ingress Protection	IP20



ELECTRICAL & PHOTOMETRIC CHARACTERISTICS

Product Reference	RATED POWER	BEAM ANGLE	LUMINOUS FLUX (lm)	LUMINOUS EFFICIENCY (lm/W)	CCT (K ± 200)	CRI	WIDTH (w) (mm)	HEIGHT (h) (mm)	CUT-OUT (c) (mm)	WEIGHT (g)
SLR3S830	8 W	120°	680	85	3'000K	> 80	90	25	-	189
SLR3S840	8 W	120°	680	85	4'000K	> 80	90	25	-	189
SLR3S860	8 W	120°	680	85	6'000K	> 80	90	25	-	189
SLR5S830	16 W	120°	1'380	86	3'000K	> 80	145	25	-	425
SLR5S840	16 W	120°	1'380	86	4'000K	> 80	145	25	-	425
SLR5S860	16 W	120°	1'380	86	6'000K	> 80	145	25	-	425
SLR6S830	24 W	120°	1'900	80	3'000K	> 80	170	25	-	558
SLR6S840	24 W	120°	1'900	80	4'000K	> 80	170	25	-	558
SLR6S860	24 W	120°	1'900	80	6'000K	> 80	170	25	-	558
SLR8S830	30 W	120°	2'600	87	3'000K	> 80	220	25	-	845
SLR8S840	30 W	120°	2'600	87	4'000K	> 80	220	25	-	845
SLR8S860	30 W	120°	2'600	87	6'000K	> 80	220	25	-	845