



**Architectural Serie  
Fixed Trimless Matrix  
ASM1905  
4x1 22W 700mA GW IP20**

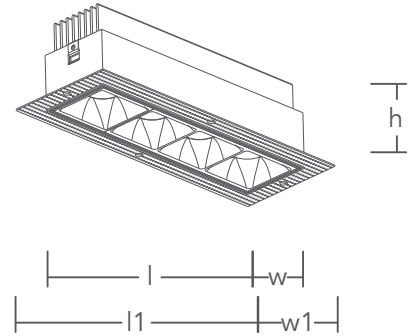


## PRODUCT HIGHLIGHTS

- Fixed Recessed LED Trimless Matrix from the Architectural Serie with consistent colour temperature
- Operates with 700 mA constant current LED driver (driver not included)
- Excellent Colour Rendering (CRI > 92)
- Recommended for public areas such as receptions, lobbies, corridors...
- Simple recessed installation suitable for various ceiling thickness (from 1 mm and above)
- Uniform light distribution
- Long service lifetime of 25'000 hours
- 3'000 K and 4'000 K versions available upon request
- No UV or IR emissions. No mercury
- Available in white or black

## GENERAL CHARACTERISTICS

Product Name	Architectural Serie Fixed Trimless Matrix ASM1905 4x1 22W 700mA GW IP20
Energy Efficiency Label	A
Materials	Body Aluminium
LED Type	COB
LED Quantity	4
Average Lifetime	25'000 hours
Start Time from 0% to 100%	0 sec
Mercury Content	0.0 mg
Ingress Protection	IP20
Dimensions (l x w x h; l1 x w1)	197 x 54 x 68 mm; 230 x 87 mm
Cut-Out	203 x 60 mm



## ELECTRICAL CHARACTERISTICS

System Power	22W
Forward Voltage	4 x 10V DC
Forward Current	700 mA

## LIGHT CHARACTERISTICS

Product Reference	ASM1905SP927	ASM1905FL927	ASM1905WF927
Luminous Flux	4 x 580 lm	4 x 580 lm	4 x 580 lm
Luminous Efficiency	105 lm/W	105 lm/W	105 lm/W
Luminous Intensity	7'035 cd	4'502 cd	2'836 cd
Beam Angle	15°	30°	45°
Colour Name	Gold White	Gold White	Gold White
Colour Temperature (CCT)	2'700 K	2'700 K	2'700 K
CRI	> 92	> 92	> 92

DISTANCE (m)	CONE DIAMETER (m)	ILLUMINANCE (lx)	DISTANCE (m)	CONE DIAMETER (m)	ILLUMINANCE (lx)	DISTANCE (m)	CONE DIAMETER (m)	ILLUMINANCE (lx)
0.5	0.12	28'140	0.5	0.25	18'008	0.5	0.41	11'344
1.0	0.23	7'035	1.0	0.49	4'502	1.0	0.81	2'836
1.5	0.35	3'127	1.5	0.50	1'179	1.5	1.22	1'260
2.0	0.46	1'759	2.0	0.98	1'126	2.0	1.63	709
2.5	0.58	1'126	2.5	1.23	720	2.5	2.04	454
3.0	0.69	782	3.0	1.48	500	3.0	2.44	315