



**Architectural Serie
Fixed Trimless Matrix
ASM1005
13W 350mA GW IP20**

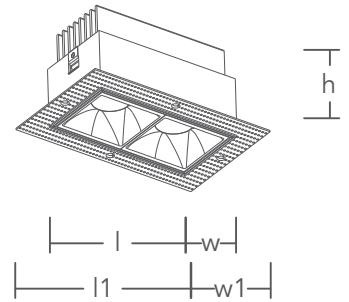


PRODUCT HIGHLIGHTS

- Fixed Recessed LED Trimless Matrix from the Architectural Serie with consistent colour temperature
- Operates with 350 mA constant current LED driver (driver not included)
- Excellent Colour Rendering (CRI > 92)
- Recommended for public areas such as receptions, lobbies, corridors...
- Simple recessed installation suitable for various ceiling thickness (from 1 mm and above)
- Uniform light distribution
- Long service lifetime of 25'000 hours
- 3'000 K and 4'000 K versions available upon request
- No UV or IR emissions. No mercury
- Available in white or black

GENERAL CHARACTERISTICS

Product Name	Architectural Serie Fixed Trimless Matrix ASM1005 13W 350mA GW IP20
Energy Efficiency Label	A
Materials	Body Aluminium
LED Type	COB
LED Quantity	2
Average Lifetime	25'000 hours
Start Time from 0% to 100%	0 sec
Mercury Content	0.0 mg
Ingress Protection	IP20
Dimensions (l x w x h; l1 x w1)	104 x 54 x 68 mm; 138 x 87 mm
Cut-Out	112 x 60 mm



ELECTRICAL CHARACTERISTICS

System Power	13W
Forward Voltage	36V DC
Forward Current	350 mA

LIGHT CHARACTERISTICS

Product Reference	ASM1005SP927	ASM1005FL927	ASM1005WF927
Luminous Flux	2 x 580 lm	2 x 580 lm	2 x 580 lm
Luminous Efficiency	2 x 83 lm/W	2 x 83 lm/W	2 x 83 lm/W
Luminous Intensity	3'901 cd	2'653 cd	1'724 cd
Beam Angle	15°	30°	45°
Colour Name	Gold White	Gold White	Gold White
Colour Temperature (CCT)	2'700 K	2'700 K	2'700 K
CRI	> 92	> 92	> 92

DISTANCE (m)	CONE DIAMETER (m)	ILLUMINANCE (lx)	DISTANCE (m)	CONE DIAMETER (m)	ILLUMINANCE (lx)	DISTANCE (m)	CONE DIAMETER (m)	ILLUMINANCE (lx)
0.5	0.12	15'604	0.5	0.21	10'612	0.5	0.41	6'896
1.0	0.23	3'901	1.0	0.41	2'653	1.0	0.81	1'724
1.5	0.35	1'734	1.5	0.62	1'179	1.5	1.22	766
2.0	0.46	975	2.0	0.83	663	2.0	1.63	431
2.5	0.58	624	2.5	1.04	424	2.5	2.04	276
3.0	0.69	433	3.0	1.24	295	3.0	2.44	192