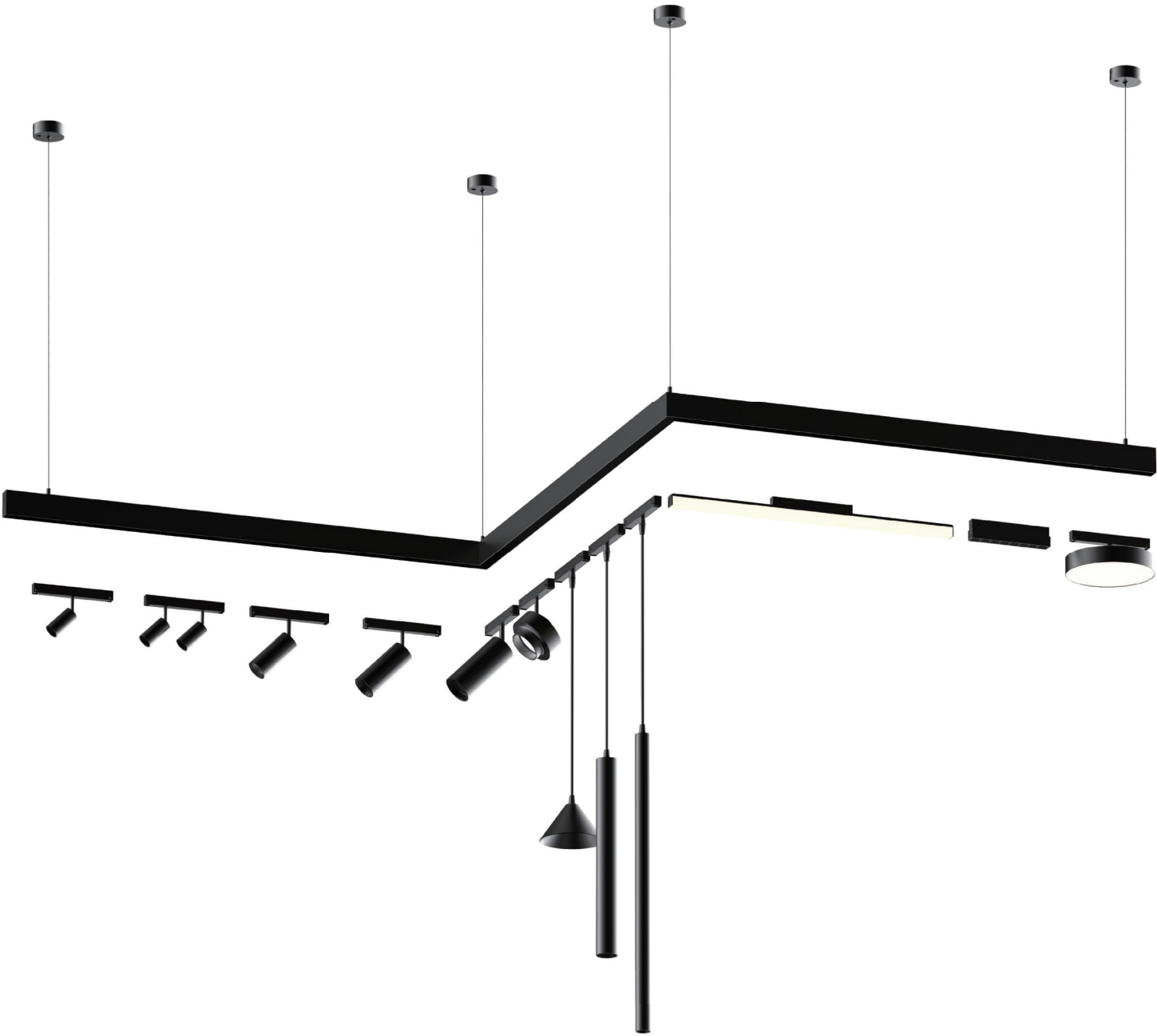




- ~ Modern LED technology not only provides maximum efficiency and long life for the luminaire, but also enables luminaires to be miniaturized. With its new INFINITE LINEAR SYSTEM, Creo Light has the solution to minimize shapes and therefore maximize ceiling harmonics.
- ~ Flexibility, Creativity, Precision are all what the INFINITE LINEAR SYSTEM has to offer you.
- ~ With its different methods of installations – recessed, surface mounted or suspended – and its wide range of lighting luminaires, the INFINITE LINEAR SYSTEM by Creo Light is the ultimate solution for your architectural lighting.
- ~ Ideal for residential, retail and commercial applications, the track light can be installed in ceilings or walls creating a three dimensional design giving a very minimalistic outcome of the area.





Due to the physical separation of the AC/DC driver and the DC/DC board, the innovative 48 V DC-String lighting solution does away with bulky track boxes altogether. In spite of miniaturisation, you still have unrestricted control of the individual conductor track luminaires, thanks to the possibility of transmitting commands via the powerline communication. Hot plug luminaire replacement can be carried out effortlessly and safely by anyone due to the conductor track with low constant voltage.



48 V DC-String allows you to have small luminaires and an aesthetic solution on a conductor track.

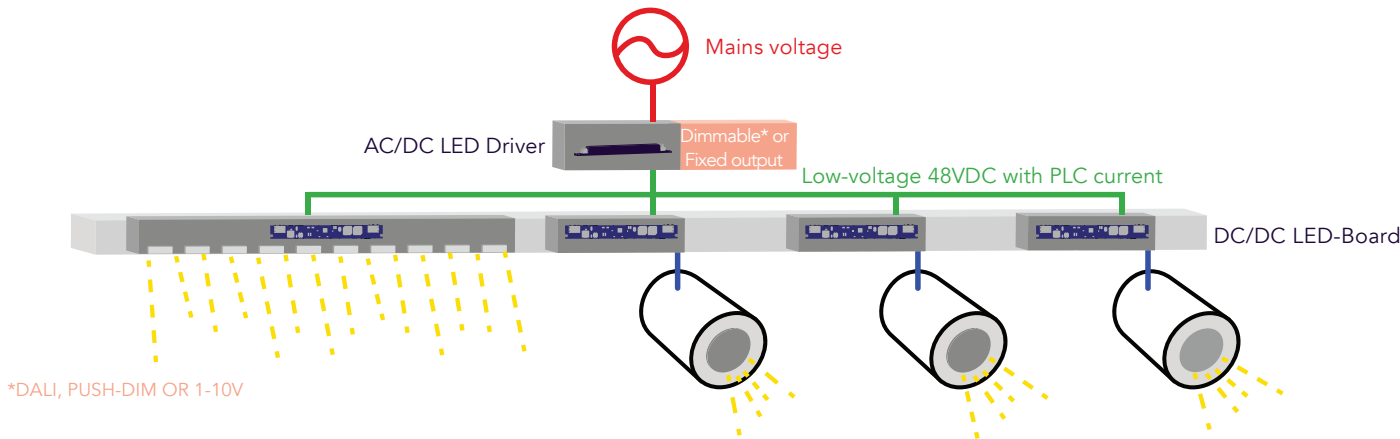
At a glance: Engine DC-String

- Design freedom thanks to the miniaturisation of luminaires and conductor tracks
- Individual luminaire control via powerline communication or DALI
- Safe and simple hot-plug luminaire replacement for anyone

Benefits at all levels:

| Architect | Installer | End User |
|--------------------------------------------------------------------------------------------------------------------------------------------------------------------------------------------------------------------------------------------------------------|---------------------------------------------------------------------------------------------------------------------------------------------------------------------------------------------------------------------------------|--------------------------------------------------------------------------------------------------------------------------------------------------------------------------------------------------------------------------------------------------------------------------------------------------|
| <ul style="list-style-type: none"> New ceiling / room design opportunities Improved ceiling aesthetics through miniaturisation of track light systems Emergency and DALI compatible to cover track lighting with one design | <ul style="list-style-type: none"> Quick and easy installation SELV - safe and easy to install Hot-Plug-In possible - quick commissioning Quick upgrade to DALI dimmable track lights | <ul style="list-style-type: none"> Quick and easy maintenance SELV - no electrician needed for luminaire exchange Hot-Plug-In possible - quick and safe exchange Reduced maintenance costs by concentrating critical building blocks to central supply |

ELECTRICAL INSTALLATION



*DALI, PUSH-DIM OR 1-10V

Low Voltage DC System (LVDC)

- The Low Voltage DC-String system is driven by one centralised LED Driver
- Only DC/DC part remains with each module/luminaire, allowing further miniaturisation of the luminaire
- DALI, PUSH-DIM or 1-10V luminaire control
- Safe and easy luminaire exchange by everyone

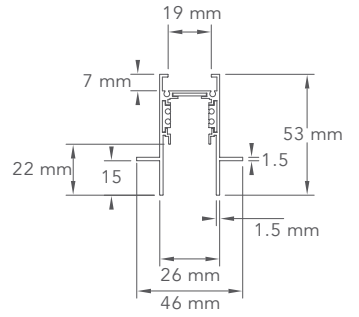
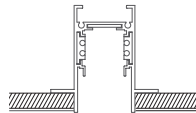
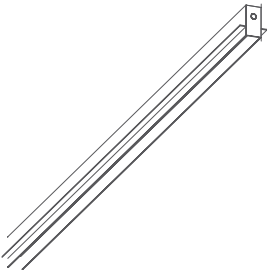


SPECIAL FEATURES & INSTALLATION METHODS

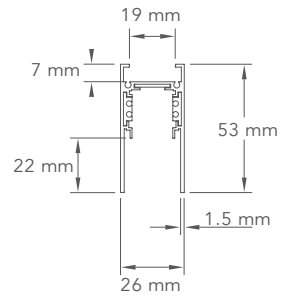
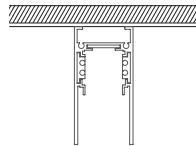
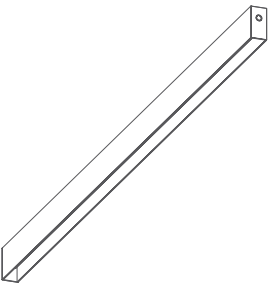
Magnetic inner fixation with safety lock



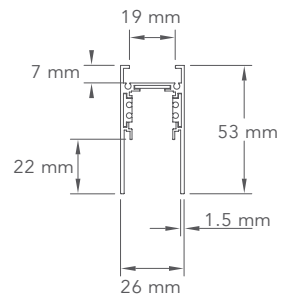
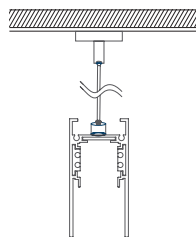
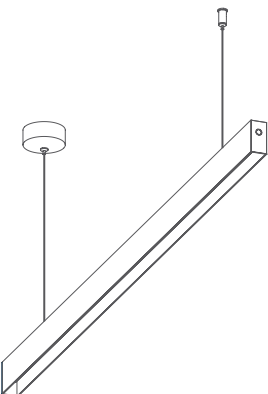
Recessed



Surface Mounted

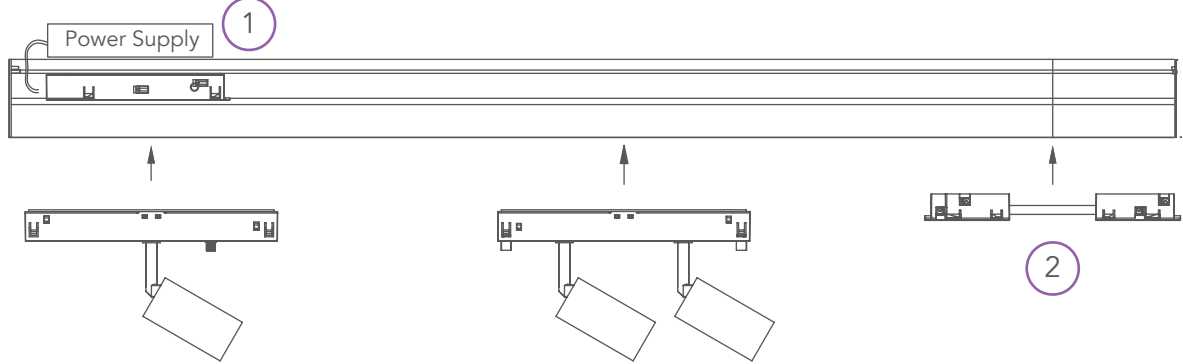


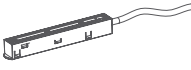
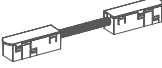




Suspended

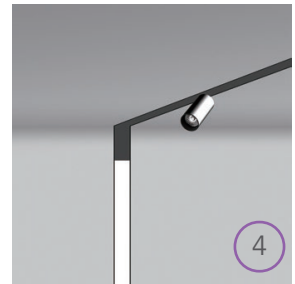
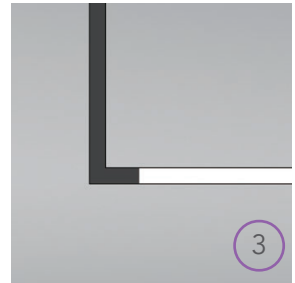




TRACK ACCESSORIES



| Product Reference | Product Type | Product Reference |
|---------------------------------------------------------------------------------------|----------------------------------------------------|-------------------|
| 1  | Low Voltage DC Input Box | ITACSINPB |
| 2  | DC Conductive Connector | ITACSCONB |
| 3  | Horizontal 90° Connector for Surface Installation | ITACSH90S |
| 4  | Vertical 90° Connector for Surface Installation | ITACSV90S |
| | Horizontal 90° Connector for Recessed Installation | ITACSH90R |
| | Vertical 90° Connector for Recessed Installation | ITACSV90R |
|  | Suspension Kit with Base | ITACSHK1 |
|  | Suspension Kit without Base | ITACSHK0 |



LUMINAIRE ACCESSORIES



| Product Reference | Product Type | Product Reference |
|-------------------------------------------------------------------------------------|-------------------------|-------------------|
|  | Honeycomb + Filter | ITSP0512-HC |
|  | Barn Door | ITSP0512-BD |
|  | Anti-glare ring | ITACAGR |
|  | Anti-glare ring 2 | ITACAGR2 |
|  | Cross anti-glare ring | ITACCAGR |
|  | Cross anti-glare ring 2 | ITACCAGR2 |