



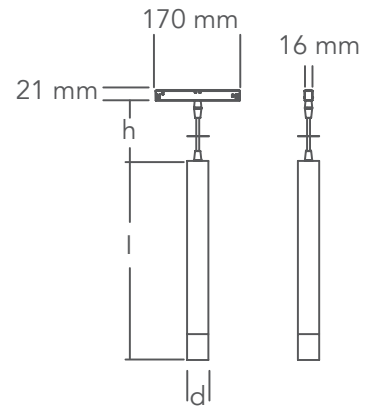
**Infinite Track
Tube 0440 8W IP40**

PRODUCT HIGHLIGHTS

- ~ LED Tubular Track Light for 48V track system
- ~ High-quality aluminium LED suspended fixture providing symmetric light with maximum luminaire efficiency and optimum photometric properties
- ~ Colour temperature: 3'000K. Available upon request: 2'700K, and 4'000K
- ~ Excellent Colour Consistency and high CRI (CRI > 93)
- ~ Available in white or black
- ~ Fixed output LED driver is included with plug & play connection. Dimmable (DALI or 1-10V) driver available upon request

GENERAL CHARACTERISTICS

Product Name	Infinite Track Tube 0440
LED Type	CITIZEN™ COB
Energy Efficiency Label	A+
Materials	Body Extruded aluminium finish Lens PMMA
Dimensions (d x l; h)	Ø 43 x 400 mm; 44.8 mm
Ingress Protection	IP40



ELECTRICAL & LIGHT CHARACTERISTICS

Product Reference	ITTU0440SP930□	ITTU0440FL930□	ITTU0440WF930□	ITTU0440VW930□
Rated Power	8 W	8 W	8 W	8 W
Forward Current	700 mA	700 mA	700 mA	700 mA
Forward Voltage	11.2 V	11.2 V	11.2 V	11.2 V
Luminous Flux	639 lm	639 lm	639 lm	639 lm
Luminous Efficiency	80 lm/W	80 lm/W	80 lm/W	80 lm/W
Luminous Intensity	3'826 cd	3'041 cd	1'400 cd	619 cd
Beam Angle	18°	24°	38°	60°
Colour Name	Warm White	Warm White	Warm White	Warm White
Colour Temperature (CCT)	3'000 K	3'000 K	3'000 K	3'000 K
CRI	> 93	> 93	> 93	> 93

DISTANCE (m)	CONE DIAMETER (m)	ILLUMINANCE (lx)	DISTANCE (m)	CONE DIAMETER (m)	ILLUMINANCE (lx)	DISTANCE (m)	CONE DIAMETER (m)	ILLUMINANCE (lx)	DISTANCE (m)	CONE DIAMETER (m)	ILLUMINANCE (lx)
1.0	0.33	3'826	1.0	0.39	3'041	1.0	0.65	1'400	1.0	1.12	619
2.0	0.66	957	2.0	0.78	760	2.0	1.30	350	2.0	2.25	155
3.0	1.00	425	3.0	1.18	338	3.0	1.95	156	3.0	3.37	69
4.0	1.33	239	4.0	1.57	190	4.0	2.60	87	4.0	4.49	39
5.0	1.66	153	5.0	1.96	122	5.0	3.25	56	5.0	5.61	25

When ordering, please complete the product reference:

□ : Main Frame: W= White / B= Black / 0= Customized RAL