



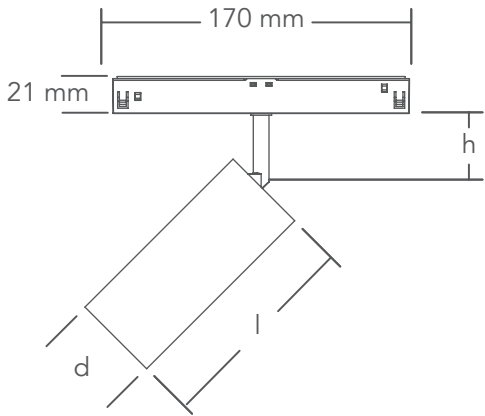
Infinite Track Spot 0614 18W IP40

PRODUCT HIGHLIGHTS

- ~ LED Track Light for 48V track system
- ~ High-quality aluminium LED Track Light providing symmetric light with maximum luminaire efficiency and optimum photometric properties
- ~ Available in white or black
- ~ Smart mechanical design allowing precise rotation of 355° and tilt angle adjustment up to 90°
- ~ Excellent Colour Consistency and CRI > 93
- ~ Fixed output LED driver is included with plug & play connection. Dimmable (DALI or 1-10V) driver available upon request
- ~ Colour temperature: 3'000K. Available upon request: 2'700K, and 4'000K

GENERAL CHARACTERISTICS

Product Name	Infinite Track Spot 0614
LED Type	CITIZEN™ COB
Energy Efficiency Label	A+
Materials	Body Extruded aluminium finish Lens PMMA
Dimensions (d x l; h)	Ø 61 x 140 mm; 49 mm
Ingress Protection	IP40



ELECTRICAL & LIGHT CHARACTERISTICS

Product Reference	ITSP0614SP930□	ITSP0614FL930□	ITSP0614WF930□
Rated Power	18 W	18 W	18 W
Forward Current	450 mA	450 mA	450 mA
Forward Voltage	36 V	36 V	36 V
Luminous Flux	1'877 lm	1'877 lm	1'877 lm
Luminous Efficiency	104 lm/W	104 lm/W	104 lm/W
Luminous Intensity	20'190 cd	10'092 cd	4'890 cd
Beam Angle	15°	24°	35°
Colour Name	Warm White	Warm White	Warm White
Colour Temperature (CCT)	3'000 K	3'000 K	3'000 K
CRI	> 93	> 93	> 93

DISTANCE (m)	CONE DIAMETER (m)	ILLUMINANCE (lx)	DISTANCE (m)	CONE DIAMETER (m)	ILLUMINANCE (lx)	DISTANCE (m)	CONE DIAMETER (m)	ILLUMINANCE (lx)
1.0	0.24	20'190	1.0	0.38	10'092	1.0	0.63	4'890
2.0	0.48	5'048	2.0	0.77	2'523	2.0	1.27	1'223
3.0	0.72	2'243	3.0	1.15	1'121	3.0	1.91	543
4.0	0.97	1'262	4.0	1.54	631	4.0	2.55	306
5.0	1.21	808	5.0	1.92	404	5.0	3.19	196

When ordering, please complete the product reference:

□ : Main Frame: W= White / B= Black / 0= Customized RAL