



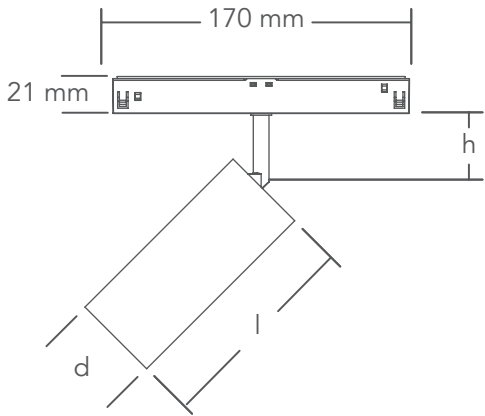
**Infinite Track Spot 0512 13W IP40**

## PRODUCT HIGHLIGHTS

- ~ LED Track Light for 48V track system
- ~ High-quality aluminium LED Track Light providing symmetric light with maximum luminaire efficiency and optimum photometric properties
- ~ Available in white or black
- ~ Smart mechanical design allowing precise rotation of 355° and tilt angle adjustment up to 90°
- ~ Excellent Colour Consistency and CRI > 93
- ~ Fixed output LED driver is included with plug & play connection. Dimmable (DALI or 1-10V) driver available upon request
- ~ Colour temperature: 3'000K. Available upon request: 2'700K, and 4'000K

## GENERAL CHARACTERISTICS

Product Name	Infinite Track Spot 0512
LED Type	CITIZEN™ COB
Energy Efficiency Label	A+
Materials	Body Extruded aluminium finish Lens PMMA
Dimensions (d x l; h)	Ø 50 x 120 mm; 43 mm
Ingress Protection	IP40



## ELECTRICAL & LIGHT CHARACTERISTICS

Product Reference	ITSP0512SP930□	ITSP0512FL930□	ITSP0512WF930□	ITSP0512VW930□
Rated Power	13 W	13 W	13 W	13 W
Forward Current	400 mA	400 mA	400 mA	400 mA
Forward Voltage	31 V	31 V	31 V	31 V
Luminous Flux	1'065 lm	1'065 lm	1'065 lm	1'065 lm
Luminous Efficiency	82 lm/W	82 lm/W	82 lm/W	82 lm/W
Luminous Intensity	6'951 cd	5'533 cd	2'132 cd	1'068 cd
Beam Angle	18°	24°	36°	60°
Colour Name	Warm White	Warm White	Warm White	Warm White
Colour Temperature (CCT)	3'000 K	3'000 K	3'000 K	3'000 K
CRI	> 93	> 93	> 93	> 93

DISTANCE (m)	CONE DIAMETER (m)	ILLUMINANCE (lx)	DISTANCE (m)	CONE DIAMETER (m)	ILLUMINANCE (lx)	DISTANCE (m)	CONE DIAMETER (m)	ILLUMINANCE (lx)	DISTANCE (m)	CONE DIAMETER (m)	ILLUMINANCE (lx)
1.0	0.30	6'951	1.0	0.34	5'533	1.0	0.56	2'132	1.0	0.74	1'068
2.0	0.60	1'738	2.0	0.69	1'383	2.0	1.12	533	2.0	1.49	267
3.0	0.90	772	3.0	1.04	615	3.0	1.68	237	3.0	2.24	119
4.0	1.20	434	4.0	1.39	346	4.0	2.25	133	4.0	2.99	67
5.0	1.50	278	5.0	1.74	221	5.0	2.81	85	5.0	3.74	43

When ordering, please complete the product reference:

□ : Main Frame: W= White / B= Black / 0= Customized RAL