



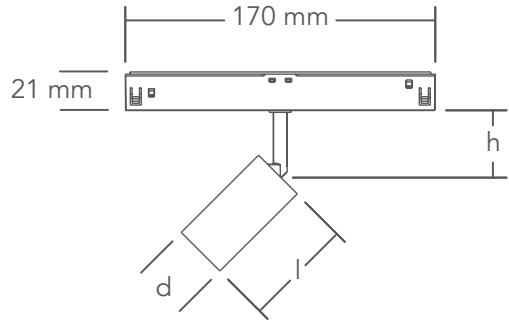
**Infinite Track Spot 0410 8W IP40**

## PRODUCT HIGHLIGHTS

- ~ LED Track Light for 48V track system
- ~ High-quality aluminium LED Track Light providing symmetric light with maximum luminaire efficiency and optimum photometric properties
- ~ Available in white or black
- ~ Smart mechanical design allowing precise rotation of 355° and tilt angle adjustment up to 90°
- ~ Excellent Colour Consistency and CRI > 93
- ~ Fixed output LED driver is included with plug & play connection. Dimmable (DALI or 1-10V) driver available upon request
- ~ Colour temperature: 3'000K. Available upon request: 2'700K, and 4'000K

## GENERAL CHARACTERISTICS

|                         |   |
|-------------------------|---|
| Product Name            | Infinite Track Spot 0410                    |
| LED Type                | CITIZEN™ COB                                |
| Energy Efficiency Label | A+  |
| Materials               | Body Extruded aluminium finish<br>Lens PMMA |
| Dimensions (d x l; h)   | Ø 43 x 100 mm; 43 mm                        |
| Ingress Protection      | IP40  |



## ELECTRICAL & LIGHT CHARACTERISTICS

| Product Reference        | ITSP0410SP930□ | ITSP0410FL930□ | ITSP0410WF930□ | ITSP0410VW930□ |
|--------------------------|----------------|----------------|----------------|----------------|
| Rated Power              | 8 W            | 8 W            | 8 W            | 8 W            |
| Forward Current          | 700 mA         | 700 mA         | 700 mA         | 700 mA         |
| Forward Voltage          | 11.2 V         | 11.2 V         | 11.2 V         | 11.2 V         |
| Luminous Flux            | 720 lm         | 720 lm         | 720 lm         | 720 lm         |
| Luminous Efficiency      | 90 lm/W        | 90 lm/W        | 90 lm/W        | 90 lm/W        |
| Luminous Intensity       | 4'799 cd       | 3'787 cd       | 1'446 cd       | 716 cd         |
| Beam Angle               | 18°            | 24°            | 36°            | 60°            |
| Colour Name              | Warm White     | Warm White     | Warm White     | Warm White     |
| Colour Temperature (CCT) | 3'000 K        | 3'000 K        | 3'000 K        | 3'000 K        |
| CRI                      | > 93           | > 93           | > 93           | > 93           |

| DISTANCE (m) | CONE DIAMETER (m) | ILLUMINANCE (lx) | DISTANCE (m) | CONE DIAMETER (m) | ILLUMINANCE (lx) | DISTANCE (m) | CONE DIAMETER (m) | ILLUMINANCE (lx) | DISTANCE (m) | CONE DIAMETER (m) | ILLUMINANCE (lx) |
|--------------|-------------------|------------------|--------------|-------------------|------------------|--------------|-------------------|------------------|--------------|-------------------|------------------|
| 1.0          | 0.30              | 4'799            | 1.0          | 0.34              | 3'787            | 1.0          | 0.56              | 1'446            | 1.0          | 0.74              | 716              |
| 2.0          | 0.60              | 1'200            | 2.0          | 0.69              | 947              | 2.0          | 1.12              | 361              | 2.0          | 1.49              | 179              |
| 3.0          | 0.90              | 263              | 3.0          | 1.04              | 421              | 3.0          | 1.68              | 161              | 3.0          | 2.24              | 80               |
| 4.0          | 1.20              | 300              | 4.0          | 1.39              | 237              | 4.0          | 2.25              | 90               | 4.0          | 2.99              | 45               |
| 5.0          | 1.50              | 192              | 5.0          | 1.74              | 152              | 5.0          | 2.81              | 58               | 5.0          | 3.74              | 29               |

When ordering, please complete the product reference:

□ : Main Frame: W= White / B= Black / 0= Customized RAL