



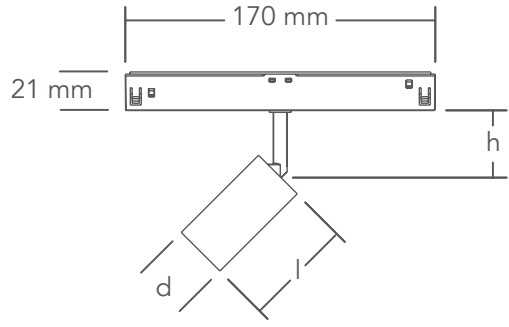
Infinite Track Spot 0306 3W IP40

PRODUCT HIGHLIGHTS

- ~ LED Track Light for 48V track system
- ~ High-quality aluminium LED Track Light providing symmetric light with maximum luminaire efficiency and optimum photometric properties
- ~ Available in white or black
- ~ Smart mechanical design allowing precise rotation of 355° and tilt angle adjustment up to 90°
- ~ Excellent Colour Consistency and CRI > 93
- ~ Fixed output LED driver is included with plug & play connection. Dimmable (DALI or 1-10V) driver available upon request
- ~ Colour temperature: 3'000K. Available upon request: 2'700K, and 4'000K

GENERAL CHARACTERISTICS

Product Name	Infinite Track Spot 0306
LED Type	CITIZEN™ COB
Energy Efficiency Label	A+
Materials	Body Extruded aluminium finish Lens PMMA
Dimensions (d x l; h)	Ø 30 x 60 mm; 37 mm
Ingress Protection	IP40



ELECTRICAL & LIGHT CHARACTERISTICS

Product Reference	ITSP0306SP930□	ITSP0306FL930□	ITSP0306WF930□	ITSP0306VW930□
Rated Power	3 W	3 W	3 W	3 W
Forward Current	700 mA	700 mA	700 mA	700 mA
Forward Voltage	3 V	3 V	3 V	3 V
Luminous Flux	178 lm	178 lm	178 lm	178 lm
Luminous Efficiency	59 lm/W	59 lm/W	59 lm/W	59 lm/W
Luminous Intensity	2370 cd	805 cd	469 cd	212 cd
Beam Angle	10°	24°	30°	50°
Colour Name	Warm White	Warm White	Warm White	Warm White
Colour Temperature (CCT)	3'000 K	3'000 K	3'000 K	3'000 K
CRI	> 93	> 93	> 93	> 93

DISTANCE (m)	CONE DIAMETER (m)	ILLUMINANCE (lx)	DISTANCE (m)	CONE DIAMETER (m)	ILLUMINANCE (lx)	DISTANCE (m)	CONE DIAMETER (m)	ILLUMINANCE (lx)	DISTANCE (m)	CONE DIAMETER (m)	ILLUMINANCE (lx)
1.0	0.19	2,370	1.0	0.40	805	1.0	0.53	469	1.0	0.85	212
2.0	0.38	593	2.0	0.81	201	2.0	1.06	117	2.0	1.71	53
3.0	0.57	263	3.0	1.22	89	3.0	1.60	52	3.0	2.57	24
4.0	0.76	148	4.0	1.63	50	4.0	2.13	29	4.0	3.43	13
5.0	0.95	95	5.0	2.04	32	5.0	2.66	19	5.0	4.29	8

When ordering, please complete the product reference:

□ : Main Frame: W= White / B= Black / 0= Customized RAL