



CREO Light.
Light years ahead.



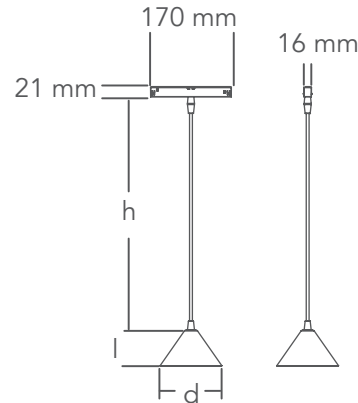
**Infinite Track
Cone 1307 8W IP40**

PRODUCT HIGHLIGHTS

- ~ LED fixture for 48V track system
- ~ Colour temperature: 3'000K. Available upon request: 2'700K, and 4'000K
- ~ Fixed output LED driver is included with plug & play connection. Dimmable (DALI or 1-10V) driver available upon request
- ~ High-quality aluminium LED suspended fixture providing symmetric light with maximum luminaire efficiency and optimum photometric properties
- ~ Excellent Colour Consistency and high CRI (CRI > 93)
- ~ Available in white or black

GENERAL CHARACTERISTICS

Product Name	Infinite Track Cone 1307
LED Type	CITIZEN™ COB
Energy Efficiency Label	A+
Materials	Body: Extruded aluminium finish Lens: PMMA
Dimensions (d x l; h)	Ø 130 x 76 mm; 490 mm
Ingress Protection	IP40



ELECTRICAL & LIGHT CHARACTERISTICS

Product Reference	ITCO1307SP930□	ITCO1307FL930□	ITCO1307WF930□	ITCO1307VW930□
Rated Power	8 W	8 W	8 W	8 W
Forward Current	350 mA	350 mA	350 mA	350 mA
Forward Voltage	23 V	23 V	23 V	23 V
Luminous Flux	720 lm	720 lm	720 lm	720 lm
Luminous Efficiency	90 lm/W	90 lm/W	90 lm/W	90 lm/W
Luminous Intensity	2'370 cd	1'635 cd	948 cd	540 cd
Beam Angle	18°	24°	40°	60°
Colour Name	Warm White	Warm White	Warm White	Warm White
Colour Temperature (CCT)	3'000 K	3'000 K	3'000 K	3'000 K
CRI	> 93	> 93	> 93	> 93

DISTANCE (m)	CONE DIAMETER (m)	ILLUMINANCE (lx)	DISTANCE (m)	CONE DIAMETER (m)	ILLUMINANCE (lx)	DISTANCE (m)	CONE DIAMETER (m)	ILLUMINANCE (lx)	DISTANCE (m)	CONE DIAMETER (m)	ILLUMINANCE (lx)
1.0	0.34	2'370	1.0	0.38	1'635	1.0	0.74	948	1.0	1.15	540
2.0	0.68	593	2.0	0.77	409	2.0	1.49	237	2.0	2.31	135
3.0	1.03	263	3.0	1.16	182	3.0	2.24	105	3.0	3.47	60
4.0	1.37	148	4.0	1.54	102	4.0	2.99	59	4.0	4.62	34
5.0	1.72	95	5.0	1.93	65	5.0	3.74	38	5.0	5.78	22

When ordering, please complete the product reference:

□ : Main Frame: W= White / B= Black / 0= Customized RAL