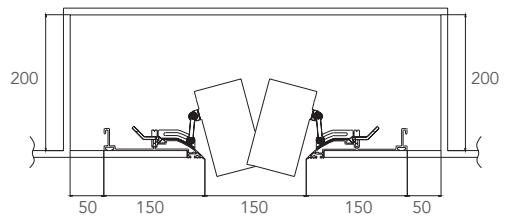
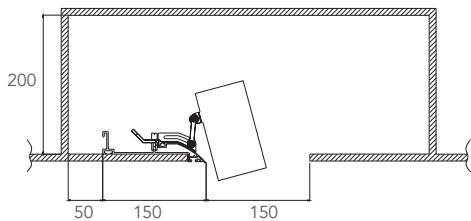
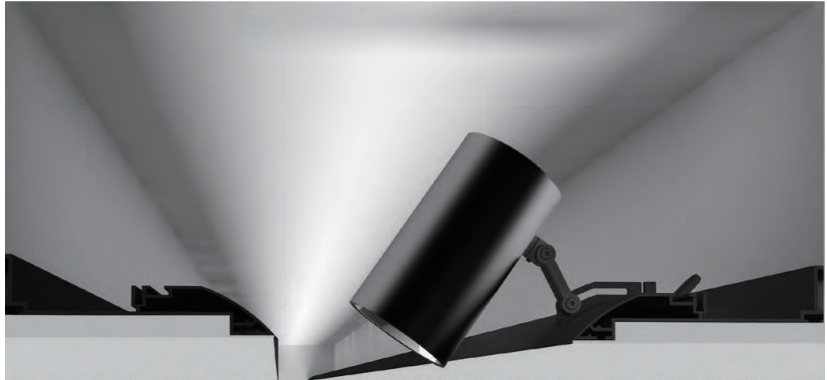
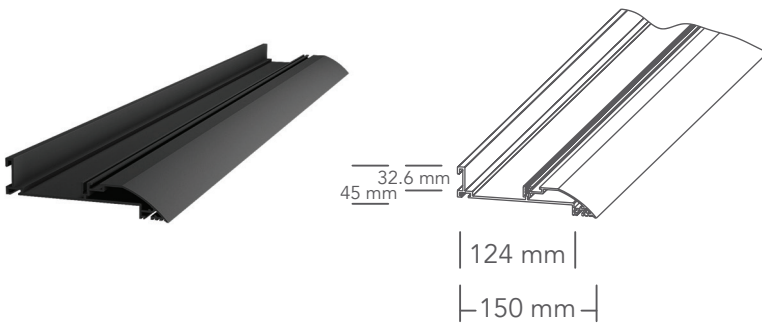


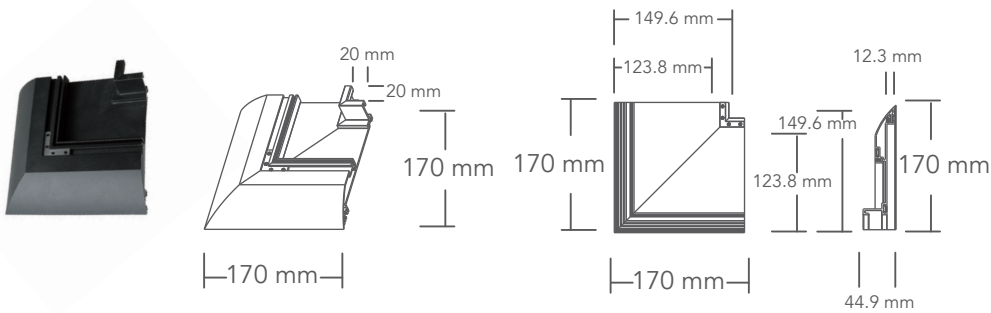
BLADE SYSTEM ACCESSORIES



BS-PRO1504: BLADE SYSTEM PROFILE 1504 2M NON ANODIZED ALUMINIUM



BSAOC90: BLADE SYSTEM 90° OUTER CORNER NON ANODIZED ALUMINIUM



BSAIC90: BLADE SYSTEM 90° INNER CORNER NON ANODIZED ALUMINIUM

