



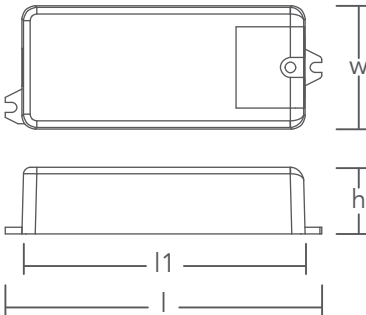
**PIR Motion Sensor  
220V IP20**

## PRODUCT HIGHLIGHTS

- ~ Presence Infrared motion Sensor with high sensitivity
- ~ Motion Detection range under 3 meters
- ~ Compact dimensions
- ~ Ideal for controlling LED source in closets
- ~ AC Input voltage range from 100-240V AC

## GENERAL CHARACTERISTICS

Product Reference	CT-PIR-220
Ambient Temperature	-20°C...+50°C
Max. Casing Temperature	75°C
Dimensions (l x w x h; l1)	95 x 37 x 20 mm; 85 mm
Ingress Protection	IP20
Sense Angle	60°



## ELECTRICAL CHARACTERISTICS

Input Voltage	100-240V AC
Max. Supply Current	32.5A
Number of Control Inputs	1
Control Input Signal	Sensor
Number of Output Addresses	1
Number of Addresses	1
Max. Output Load per Channel	5.0A
Max. Output Power	500W
PWM Signal Frequency	1'500 Hz