



**IR Sensor Switch
220V IP20**



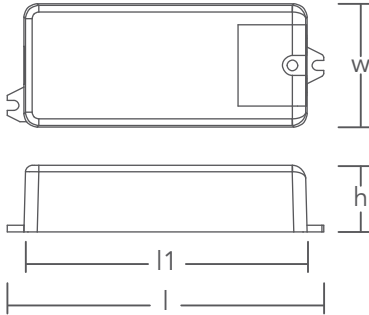
PRODUCT HIGHLIGHTS

- ~ Infrared sensor with high sensitivity
- ~ Detection range from 1 cm to 6 cm
- ~ Compact dimensions
- ~ Ideal for controlling LED source in closets
- ~ AC Input voltage range from 100-240V AC



GENERAL CHARACTERISTICS

Product Reference	CT-IRS-220
Ambient Temperature	-20°C...+50°C
Max. Casing Temperature	75°C
Dimensions (l x w x h; l1)	95 x 37 x 20 mm; 85 mm
Sensor's Cut-Out	Ø 10 mm
Ingress Protection	IP20



ELECTRICAL CHARACTERISTICS

Input Voltage	100-240V AC
Max. Supply Current	32.5A
Number of Control Inputs	1
Control Input Signal	IR
Number of Output Addresses	1
Number of Addresses	1
Max. Output Load per Channel	5.0A