



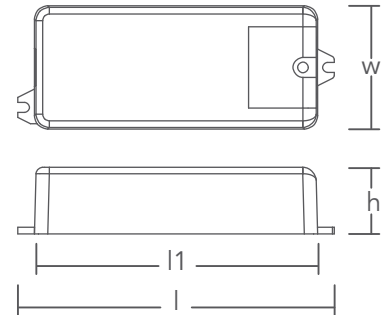
**PWM Power Repeater
1 channel input
1 channel output
IP20**

PRODUCT HIGHLIGHTS

- ~ PWM power repeater/amplifier with 1 channel output
- ~ Galvanic separation of control inputs, supply unit and output channels
- ~ Compatible with the full range of Creo Light LED Dimmers
- ~ Ideal for controlling large LED lighting installations
- ~ No flickering or flash effect while dimming
- ~ Up to 10 power repeaters connected to one LED dimmer (master)
- ~ Smooth dimming from 100% to 0.1%
- ~ Wide Input voltage range (from 12V DC to 36V DC)
- ~ Compact dimensions

GENERAL CHARACTERISTICS

Product Reference	CT-PWR-18
Ambient Temperature	-20°C...+50°C
Max. Casing Temperature	75°C
Dimensions (l x w x h; l1)	95 x 37 x 20 mm; 85 mm
Ingress Protection	IP20



ELECTRICAL CHARACTERISTICS

Input Voltage	12-36V DC
Max. Supply Current	8.3A
Number of Control Inputs	1
Control Input Signal	PWM
Number of Output Addresses	1
Number of Addresses	1
Max. Output Load per Channel	8.0A
PWM Signal Frequency	1'500 Hz