



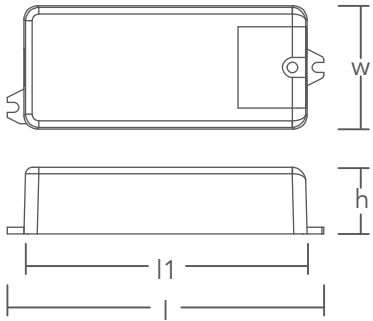
DALI LED Dimmer
1 DALI address
1 channel output
IP20

PRODUCT HIGHLIGHTS

- ~ Dimmable controller suitable for DALI control signal
- ~ Logarithmic dimming curve
- ~ Compatible with DALI standard protocol IEC60929
- ~ Integrated memory function
- ~ 1 - channel PWM dimmer output with maximum load of 8A
- ~ Wide Input voltage range (from 12V DC to 36V DC)
- ~ Smooth dimming from 100% to 0.1%
- ~ No flickering or flash effect while dimming
- ~ Compact dimensions

GENERAL CHARACTERISTICS

Product Reference	CT-DAL-118
Ambient Temperature	-20°C...+50°C
Max. Casing Temperature	75°C
Dimensions (l x w x h; l1)	95 x 37 x 20 mm; 85 mm
Ingress Protection	IP20



ELECTRICAL CHARACTERISTICS

Input Voltage	12-36V DC
Max. Supply Current	8.3A
Number of Control Inputs	1
Control Input Signal	DALI
Current Draw (DALI BUS)	2 mA
Number of Output Channel	1
Max. Output Load per Channel	8.0A
PWM Signal Frequency	1'500 Hz