



CREO Light.  
Light years ahead.



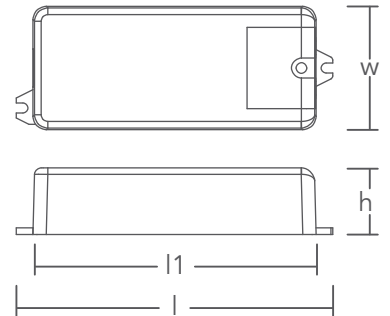
**1-10V LED Dimmer  
PushDIM IP20  
1 channel input  
1 channel output**

## PRODUCT HIGHLIGHTS

- ~ Dimmable controller suitable for 1-10V control signal
- ~ Logarithmic dimming curve
- ~ 1 - channel "1-10V"- control signal input
- ~ Integrated memory function
- ~ No flickering or flash effect while dimming
- ~ 1 - channel output with maximum load of 8A
- ~ Smooth dimming from 100% to 0.1%
- ~ Compact dimensions
- ~ Wide Input voltage range (from 12VDC to 36VDC)

## GENERAL CHARACTERISTICS

Product Reference	CT-ANA-118PD
Ambient Temperature	-20°C...+50°C
Max. Casing Temperature	75°C
Dimensions (l x w x h; l1)	95 x 37 x 20 mm; 85 mm
Ingress Protection	IP20



## ELECTRICAL CHARACTERISTICS

Input Voltage	12-36V DC
Max. Supply Current	8.3A
Number of Control Inputs	1
Control Input Signal	1-10 V
Number of Output Channels	1
Max. Output Load per Channel	8.0A
PWM Signal Frequency	1'500 Hz

## WIRING DIAGRAM

